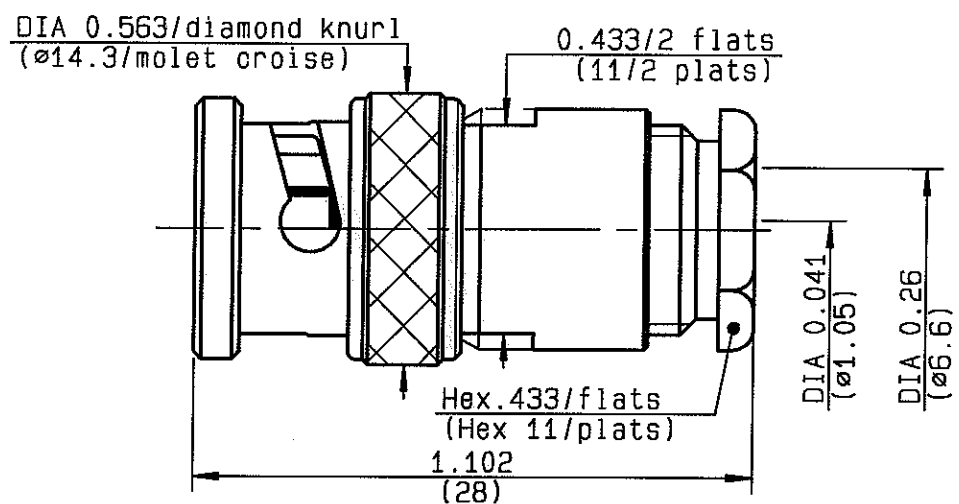


STRAIGHT PLUG CLAMP TYPE
CABLE 6/75+93

Series : BNC

1 / 1



CABLES : -

CHARACTERISTICS

NOMINAL IMPEDANCE	50 Ω
FREQUENCY RANGE	0-4 GHz
TEMPERATURE RATING	-65/+165 °C
VSWR	1.3 + - x F(GHz)Maxi
RF INSERTION LOSS	NA \sqrt{F} (GHz) dB Maxi
VOLTAGE RATING	335 Vrms Max
DIELECTRIC WITHSTANDING VOLTAGE	1500 Vrms min
INSULATION RESISTANCE	5000 M Ω min
HERMETIC SEAL	NA Atm.cm3/s
LEAKAGE (pressurized only)	NA Mpa
WEIGHT	16 gr

STANDARDISATION

CABLE RETENTION	181	N min
CENTER CONTACT RETENTION		
Axial force - mating end	27	N min
Axial force - opposite end	NA	N min
Torque (Min)	NA	cm.N min
RECOMMENDED TORQUES		
Mating	NA	cm.N
Panel nut	NA	cm.N
Clamp nut	450	cm.N

CONSTRUCTION

CONNECTOR PARTS	MATERIALS	FINISH
BODY	BRASS	NICKEL
OUTER CONTACT	BRASS	NICKEL
CENTER CONTACT	BRASS	GOLD
INSULATOR	PTFE	-
COUPLING NUT	BRASS	NICKEL
-	-	-
-	-	-
-	-	-

ISSUE	REVISION No	DESCRIPTION	BY	DATE
-	-	-	-	-
-	-	-	-	-
-	-	-	-	-
-	-	-	-	-

Initiated on 14/02/96
Approval by MARTIN

The information given here is subject to change without notice. Design changes may be in order to improve the product.

